

USER MANUAL

SCAN 8

INTRODUCTION

Thank you for having chosen the item. You will see you have acquired a powerful and versatile device. Unpack your product. Before you initial start-up, please make sure that there is no damage caused by transportation. Should there be any, consult your dealer and do not use the device.

SAFETY INSTRUCTIONS

CAUTION!

Be careful with your operations. With a dangerous voltage you can suffer a dangerous electric shock when touching the wires!

Keep this device away from rain and moisture!

Unplug mains lead before opening the housing!

For your own safety, please read this user manual carefully before you initial start-up.

If the device has been exposed to drastic temperature fluctuation (e.g. after transportation), do not switch it on immediately. The arising condensation water might damage your device.

Leave the device switched off until it has reached room temperature. Never let the power-cord come into contact with other cables! Handle the power-cord and all connections with the mains with particular caution! Make sure that the available voltage is not higher than stated on the rear panel. During the operation, the housing becomes very hot. Do not switch the device on and off in short intervals as this would reduce the lamp's life. Never look directly into the light source, as sensitive persons may suffer an epileptic shock (especially meant for epileptics)! Keep away from children and amateurs! . This product is designed for indoor use only. This device is designed for professional use, e.g. on stages, in discotheques, theatres etc. The minimum distance between light-output and the illuminated surface must be more than 0.5 meters. Always fix the fixture with an appropriate safety-rope. The maximum ambient temperature $t_a = 45^\circ \text{C}$ must never be exceeded. Operate the device only after having become familiar with its functions.

Features:

Three operation modes: DMX 512 protocol, sound active, auto, red led: 8*5pcs, green led: 8*5pcs and blue led: 8*5 pcs operating in various modes to form different led effects with 8 pcs of LED modules

INSTALLATION

DANGER OF FIRE!

When installing the device, make sure there is no highly-inflammable material (decoration articles, etc.) within a distance of min. 0.5 m.

On the rear panel of the LED DMX color changer you can find an XLR-jack (DMX Out) and an XLR-plug (DMX In), which can be used for connecting several devices. Choose the device which is to control the effects. Connect the DMX OUT-jack with the DMX IN-plug of the next

device.

DMX-512 connection / connection between fixtures

The wires must not come into contact with each other, otherwise

Occupation of the XLR-connection:

If you are using controllers with this occupation, you can connect the DMX-output of the controller directly with the DMX-input of the first fixture in the DMX-chain. If you wish to connect DMX-controllers with other XLR-outputs, you need to use adapter-cables.

Building a serial DMX-chain:

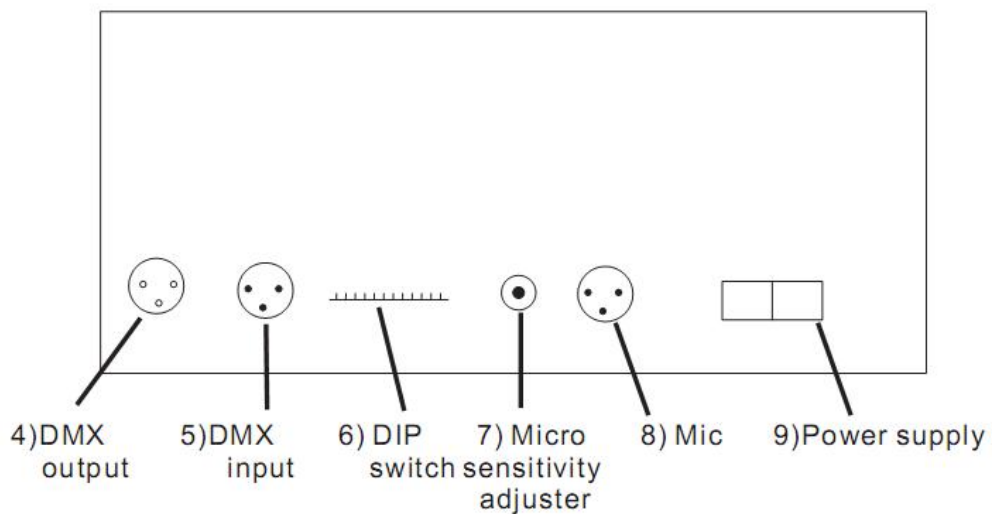
Connect the DMX-output of the first fixture in the DMX-chain with the DMX-input of the next fixture. Always connect one output with the input of the next fixture until all fixtures are connected.

Caution: At the last fixture, the DMX-cable has to be terminated with a terminator. Solder a 120 resistor between Signal (-) and Signal (+) into a 3-pin XLR-plug and plug it in the DMX-output of the last fixture.

Connection with the mains

Connect the device to the mains with the enclosed power supply cable.

OPERATION



1. DMX operation mode

Addressing

The dip switch on the rear side of the base allows you to assign the DMX fixture address, which is defined as the first channel from which the item will respond to the controller. If you set, for example, the address to channel 7, the item will use the channel 7 to 11 for control. Please, be sure that you don't have any overlapping channels in order to control each item correctly and independently from any other fixture on the DMX data link. If two, three or more items are addressed similarly, they will work similarly. For address setting, please note the following:

DIP NUMBER	DMX VALUE
1	1
2	2
3	4
4	8
5	16
6	32
7	64
8	128
9	256
10	512

The DMX address can be set by 1-9 dip switches on the rear panel of the unit. For example, under the control of the standard 16-channel DMX operator, if the address of the 1st item is set as 1, the dip 1 should be ON, the second, 1,5 ON, third 1,6 ON, fourth,1,5,6 ON,fifth 1,7 ON,...

DMX Controlling:

After having addressed all items, you may now start operating these via your lighting controller. After switching on, the item will automatically detect whether DMX 512 data is received or not.

Control channel 1—master dimmer from 0-100%

Control channel 2—color macros

Control channel 3—on/off,stroke from fast to slow

Control channel 4—motor speed adjustments from fast to slow

Control channel 5—motor 1 movement/scan directions

Control channel 6—motor 2 movement/scan directions

Control channel 7—motor 3 movement/scan directions

Control channel 8—motor 4 movement/scan directions

Control channel 9—motor 5 movement/scan directions

Control channel 10—motor 6 movement/scan directions

Control channel 11—motor 7 movement/scan directions

Control channel 12—motor 8 movement/scan directions

Control channel 13—led module A effects

Control channel 14—led module B effects

Control channel 15—led module C effects

Control channel 16—led module D effects

Control channel 17—led module E effects

Control channel 18—led module F effects

Control channel 19—led module G effects

Control channel 20—led module H effects

2. auto running

With this function the items must be disconnected from the controller.

Get one item, switch on power, press the dip switch 9,10 to ON,others to OFF,now the item runs at auto mode.

3. sound active

With this function the items must be disconnected from the controller.

At the sound active, the items can run to the beat of music.Get one item, switch on power,

press the dip switch 10 to ON positions, others to OFF, now the item at sound active, the sound sensitivity can be adjusted via the switcher at the rear.

4. master/slave

With this function, the item must be disconnected from DMX controller.

Get one item, set at auto or sound active as above, take other items, push the dip 8,9,10 to ON positions, connect the one at auto or sound active to the others by DMX cables, they work symtaneously, the one at auto or sound active works as master, the others as slave.

Replacing the fuse

If the fine-wire fuse of the device fuses, only replace the fuse by a fuse of same type and rating.

Before replacing the fuse, unplug mains lead.

Procedure:

Step 1: Open the fuse holder on the rear panel with a fitting screwdriver.

Step 2: Remove the old fuse from the fuse holder.

Step 3: Install the new fuse in the fuse holder.

Step 4: Replace the fuse holder in the housing.

TECHNICAL SPECIFICATIONS

Power supply: 90-240V AC 50Hz/60Hz

Power consumption: MAX. 60W

DMX-control-channels:20

DMX-512-connection: 3-pin XLR

Dimensions:937*244*125mm

Weight: 8.0 kgs

Please note: Every information is subject to change without prior notice.